

DC PUMPS BP 3000 - BP 3000 INLINE

**MADE
IN
ITALY**

EN. Fuel vane pumps.
Powerful, dependable and economical, they are available with 12 and 24-volt direct current motors.
Thanks to their compact sizes, these pumps are used as the primary system in earthmoving machinery.

ES. Bombas de paletas para transferencia.
Potentes, fiables y económicas, están disponibles con motor 12V y 24V de corriente continua.

Por su estructura compacta, estas bombas son usadas como sistema primario and maquinaria de mover tierra.

RU. Крыльчатые насосы для перекачивания.
Мощные, доступные и экономичные, они предлагаются с двигателями постоянного тока 12 и 24 вольт.

Благодаря компактному размеру, эти насосы можно использовать в качестве основного оборудования на машинах для земляных работ.

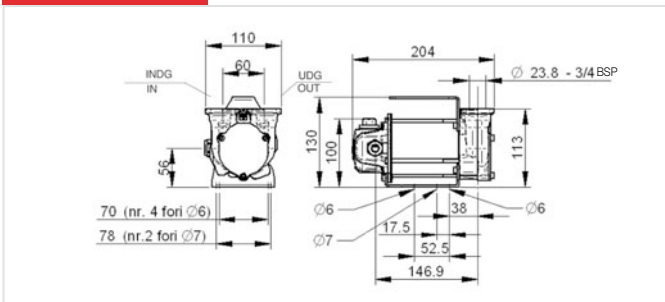
PERFORMANCE

- Vane pump with rotor.
- By-pass valve incorporated into the pump body.
- Duty cycle 30 min.
- Flow rate up to 50 l/min
- Noise level below 70 dB
- 12 - 24 V DC operation

- Bomba de paletas con rotor
- Válvula de bypass incorporada
- Ciclo de funcionamiento de 30 minutos
- Caudal de hasta 50 l/min
- Nivel de ruido inferior a 70 dB
- Funcionamiento 12V - 24V CC

- Крыльчатый насос с ротором.
- Обводной клапан, встроенный в корпус насоса.
- Рабочий цикл 30 мин.
- Расход до 50 л/мин
- Уровень шума ниже 70 дБ
- Функционирование от источника постоянного тока 12 - 24 В

DIMENSIONS



GUARANTEE



Guaranteed IP55 protection
Prevents water and dust entering the motor.



EMC Test
No interference with power circuits.



Vibration Test
Able to resist high vibrations.

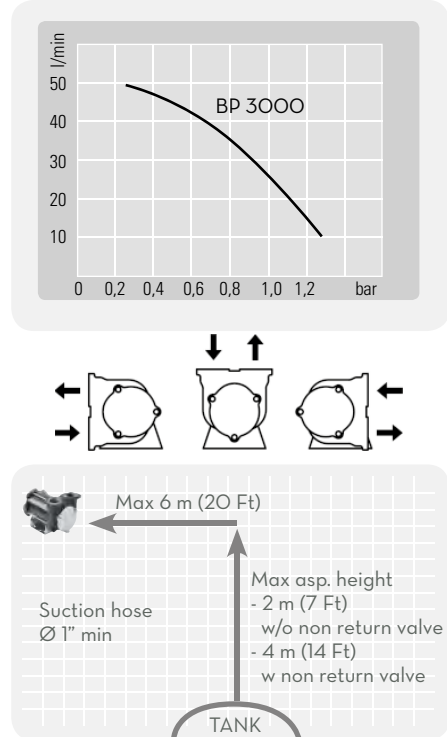
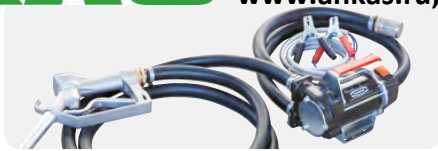
PRODUCTS' RANGE WEIGHT AND PACKAGING

Code	Weight		Packaging		pcs/box
	kg	lbs	mm	inch	
F00342000	3,5	7,9	200x120x140	7,9x4,7x5,5	1
F00347000	3,5	7,9	200x120x140	7,9x4,7x5,5	1
F00357500	3,5	7,9	200x120x140	7,9x4,7x5,5	1
F00358500	3,5	7,9	200x120x140	7,9x4,7x5,5	1



**REGISTERED
DESIGN**

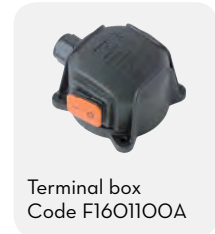
Flow-rate
up to
50 l/min
(up to 13 gpm)



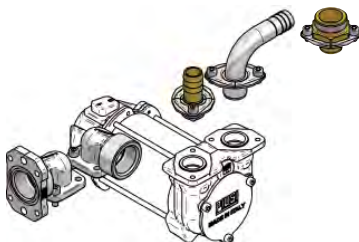
ON REQUEST



- KIT terminal box + 2mt cable + fuse 25A with clamp BP3000 12V - Code F16293000
- KIT terminal box + 4mt cable + fuse 25A with clamp BP3000 12V - Code F16295000
- KIT terminal box + 2mt cable + fuse 15A with clamp BP3000 24V - Code F16294000
- KIT terminal box + 4mt cable + fuse 15A with clamp BP3000 24V - Code F16296000



BP 3000 VERTICAL PORTS ONLY



Kit straight hose tail 3/4":
Code F16172000
(No.02 pcs)
1": Code F17124000
(No.02 pcs)



90° hose tail 3/4": Code F16173000
(No.01 pcs)
1": Code F17262000
(No.01 pcs)



Flanged elbow
Code F16178000
(No.01 pcs)
Elbow
Code F16770000
(No.01 pcs)



Flanged adaptor
(No.01 pcs)
1" BSP F: F16799000
3/4" BSP F: F17314000
1" BSP M: F17313000

PRODUCTS' RANGE TECHNICAL DATA

Code	Description	Fluids type	Flow-rate		Voltage			rpm	Duty cycle min.	Max working pressure bar.
			l/min	gpm	DC Volt	Power Watt	Amp. max.			
F00342000	BP3000 12V	D	50	13	12	300	24	2900	30	1,5
F00347000	BP3000 24V / 12V	D	50/30	13/6	24/12	310/80	13/6,5	2900/1500	30	1,5
F00357500	BP3000 INLINE 12V	D	50	13	12	300	24	2900	30	1,5
F00358500	BP3000 INLINE 24V / 12V	D	50/30	13/6	24/12	310/80	13/6,5	2900/1500	30	1,5